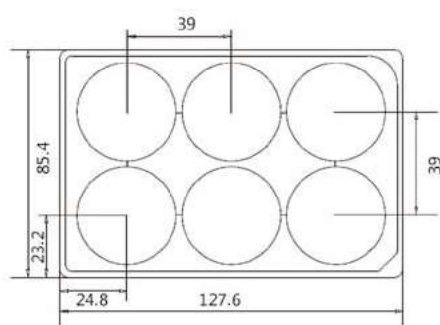


# Cell Culture Plates

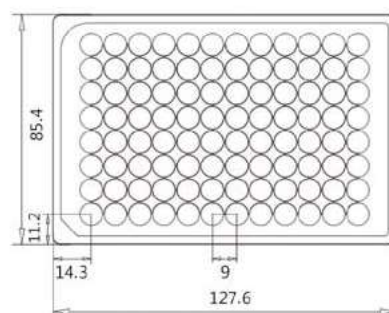


## Features

- Constructed of prime virgin polystyrene
- Plate cover design minimizes the risk of cross contamination
- Thin-walled well bottoms increase thermal consistency, reducing the edge effect
- Flat well bottoms provide excellent clarity for microscopic examination of samples
- Electron beam sterilized
- Non-pyrogenic, non-cytotoxic; DNase & RNase free, human DNA free



Dimensions = mm



Cat #	Wells	External Dimensions W x L x H (mm)	Well Dimensions D x H (mm)	Culture Area	Working Volume	Sterile	Unit
07-6006	6-well	85.40 x 127.60 x 20.20	35.00 x 17.50	9.6cm <sup>2</sup>	3ml	Yes	1 Piece/Pack, 50 Packs/Case
07-6012	12-well	85.40 x 127.60 x 20.20	21.90 x 17.50	3.8cm <sup>2</sup>	2ml	Yes	1 Piece/Pack, 50 Packs/Case
07-6024	24-well	85.40 x 127.60 x 20.20	15.50 x 17.50	1.9cm <sup>2</sup>	1ml	Yes	1 Piece/Pack, 50 Packs/Case
07-6048	48-well	85.40 x 127.60 x 20.20	9.75 x 17.50	0.75cm <sup>2</sup>	0.5ml	Yes	1 Piece/Pack, 50 Packs/Case
07-6096	96-well	85.40 x 127.60 x 14.40	6.50 x 10.80	0.33cm <sup>2</sup>	0.2ml	Yes	1 Piece/Pack, 50 Packs/Case