

Microcentrifuge Tubes



80-0500



80-0015



80-1500 (Clear)



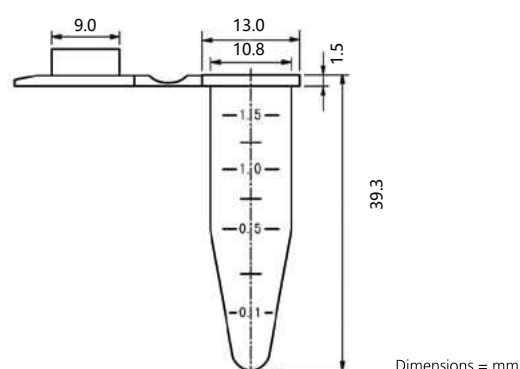
Features

- Made of high quality medical grade polypropylene
- Transparent tube walls permit easy viewing of contents
Beveled lip for convenient one-handed operation
Writing area and attached flat cap for labeling
- RNase & DNase free

Specifications

- Working temperature: stable from -20°C to 121°C
- Can withstand high speed centrifugation of 20,000 RCF

* Assorted colors should be ordered separately



Cat #	Volume	Tooth	Color	Sterile	Unit
80-0050	0.5ml	Yes	Clear	No	500 Pieces/Pack, 10 Packs/Case
80-0015	1.5ml	Yes	Clear	No	500 Pieces/Pack, 10 Packs/Case
80-1500	1.5ml	No	Clear	No	500 Pieces/Pack, 10 Packs/Case
80-1501	1.5ml	No	Red	No	500 Pieces/Pack, 10 Packs/Case
80-1502	1.5ml	No	Yellow	No	500 Pieces/Pack, 10 Packs/Case
80-1503	1.5ml	No	Blue	No	500 Pieces/Pack, 10 Packs/Case